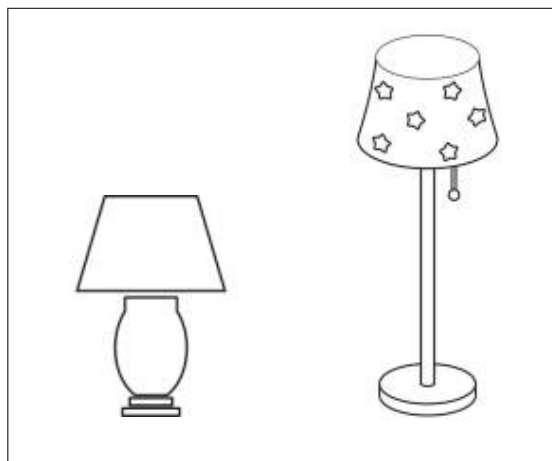
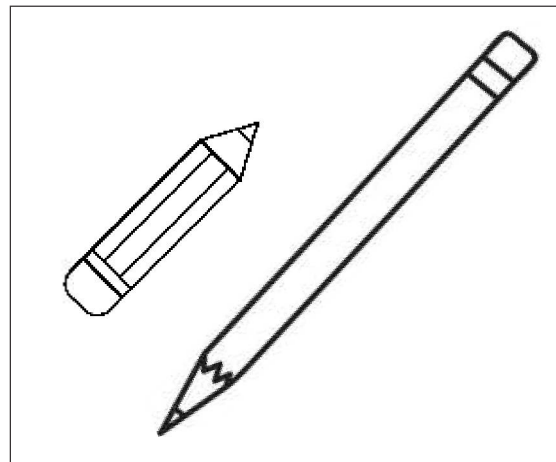
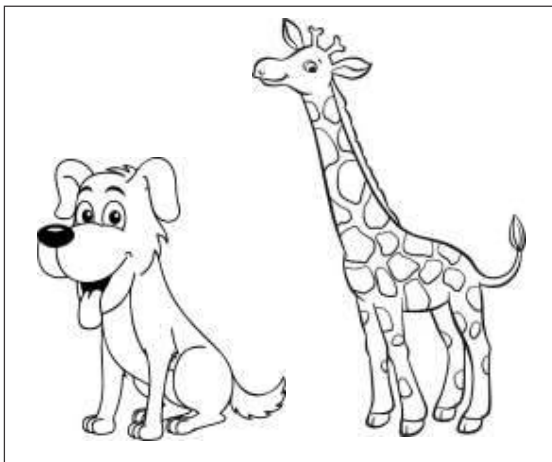
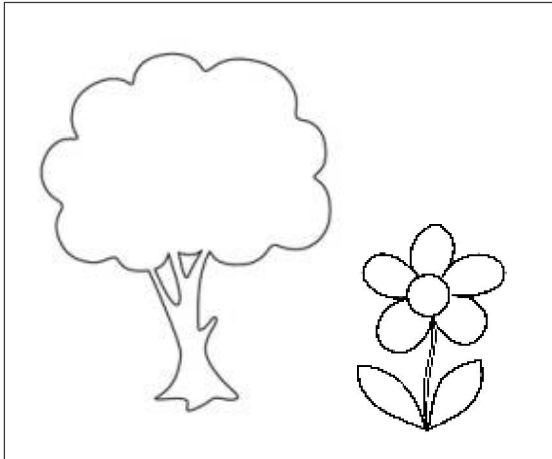




Student Name: _____ Date: _____

Q4. Colour the taller objects.

/5





scan QR code for more worksheets

1, 2, _____, 4, 5, _____,
7, _____, 9, 10, _____,
12, 13, _____, 15


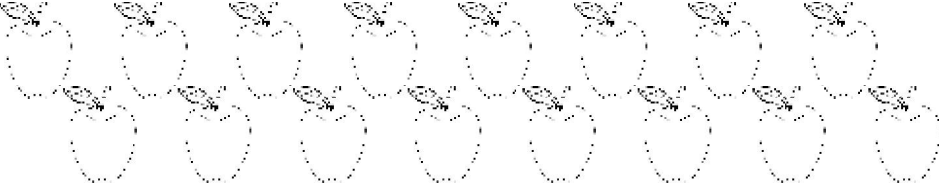

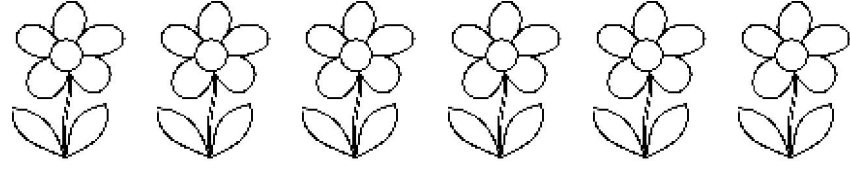
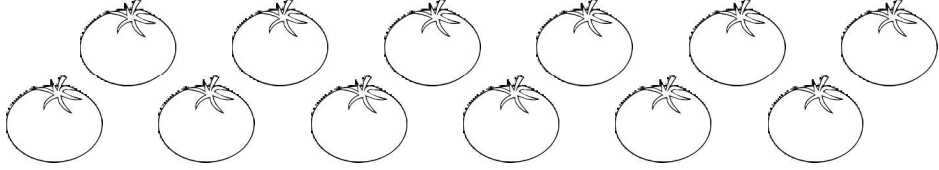
Q5. Write the missing numbers:

/5

1	2		4	5	
7		9	10		12
	13		15		

Q6. Colour the pictures according to the given number:

/5

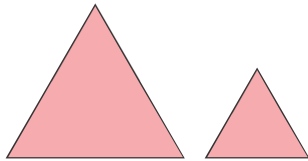
8	
14	
6	
4	
11	



scan QR code for more worksheets

Q8. Circle the shorter objects.

/5



Q9. What comes before.

/5

	9
--	---

	2
--	---

	6
--	---

	4
--	---

	8
--	---



Student Name: _____ Date: _____

Q10. What comes after:

/5

2	
---	--

7	
---	--

1	
---	--

3	
---	--

8	
---	--